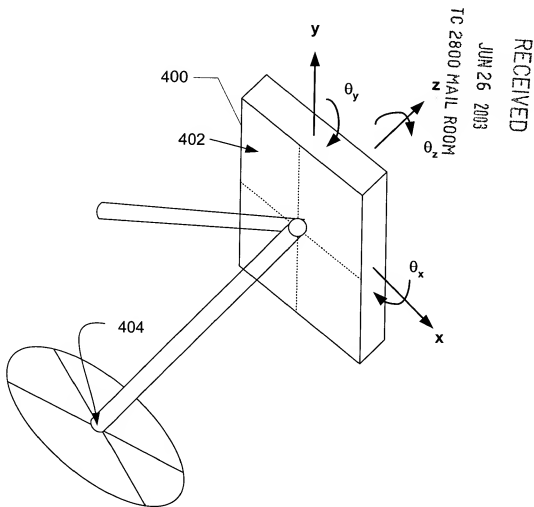




4/22



TC 2800 MAIL ROOM

JUN 26 2003

RECEIVED

FIG. 4 (Prior Art)